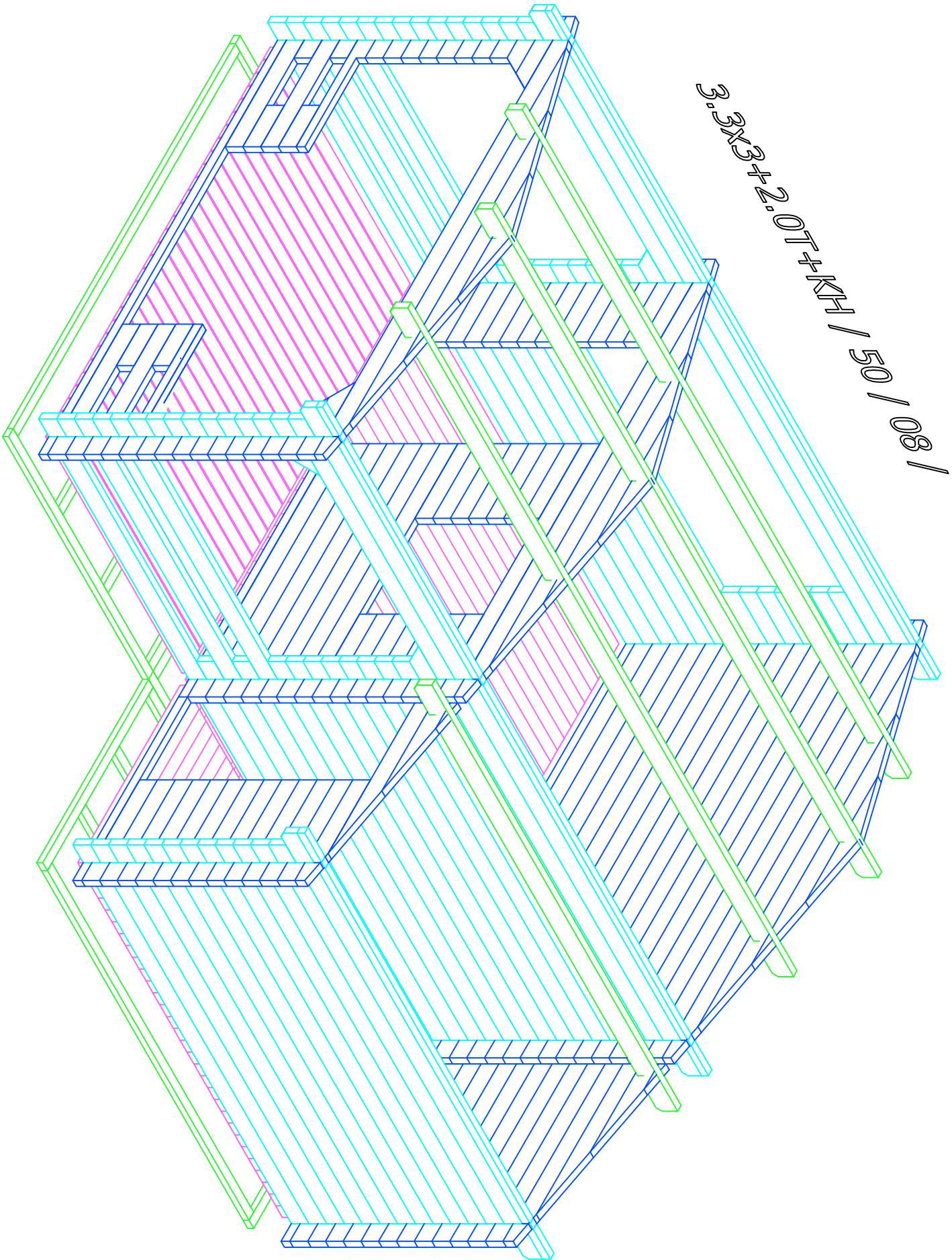
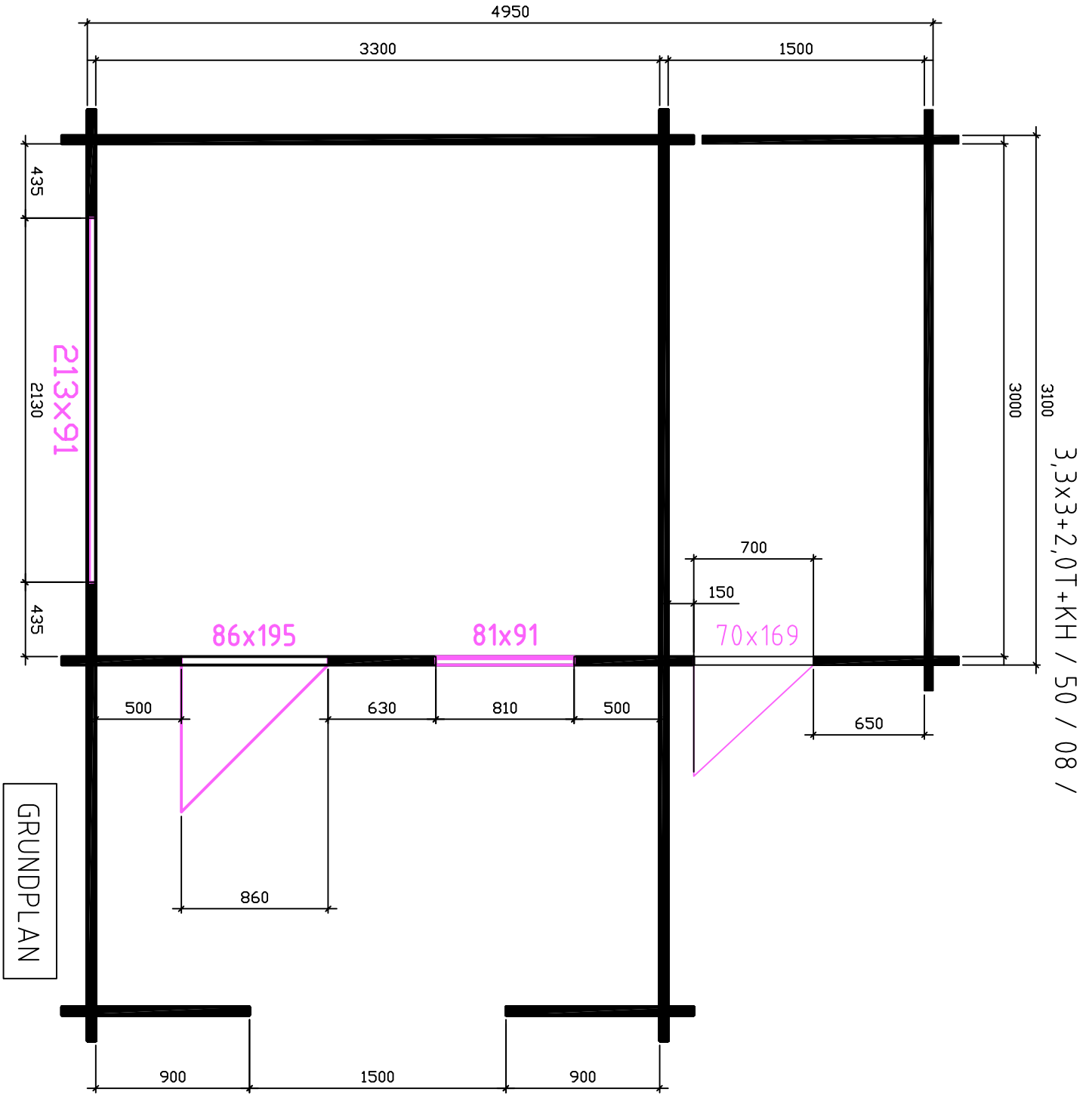


$3, 3 \times 3 + 2, 0T / 50 / 10$



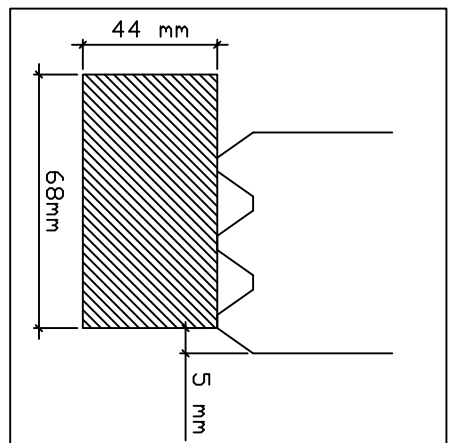
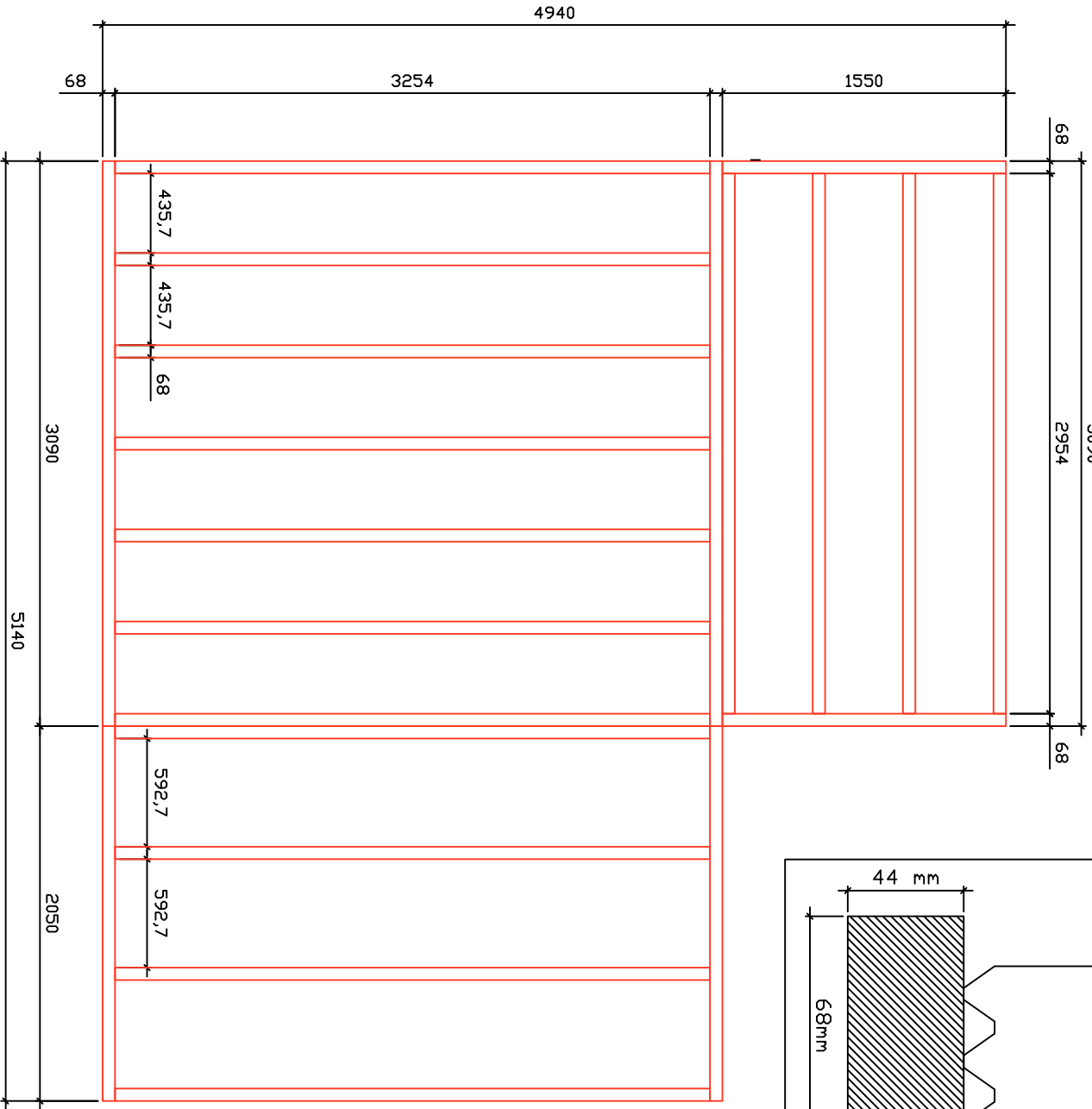
3.3x3+2.0T+KH / 50 / 08 /



GRUNDPLAN

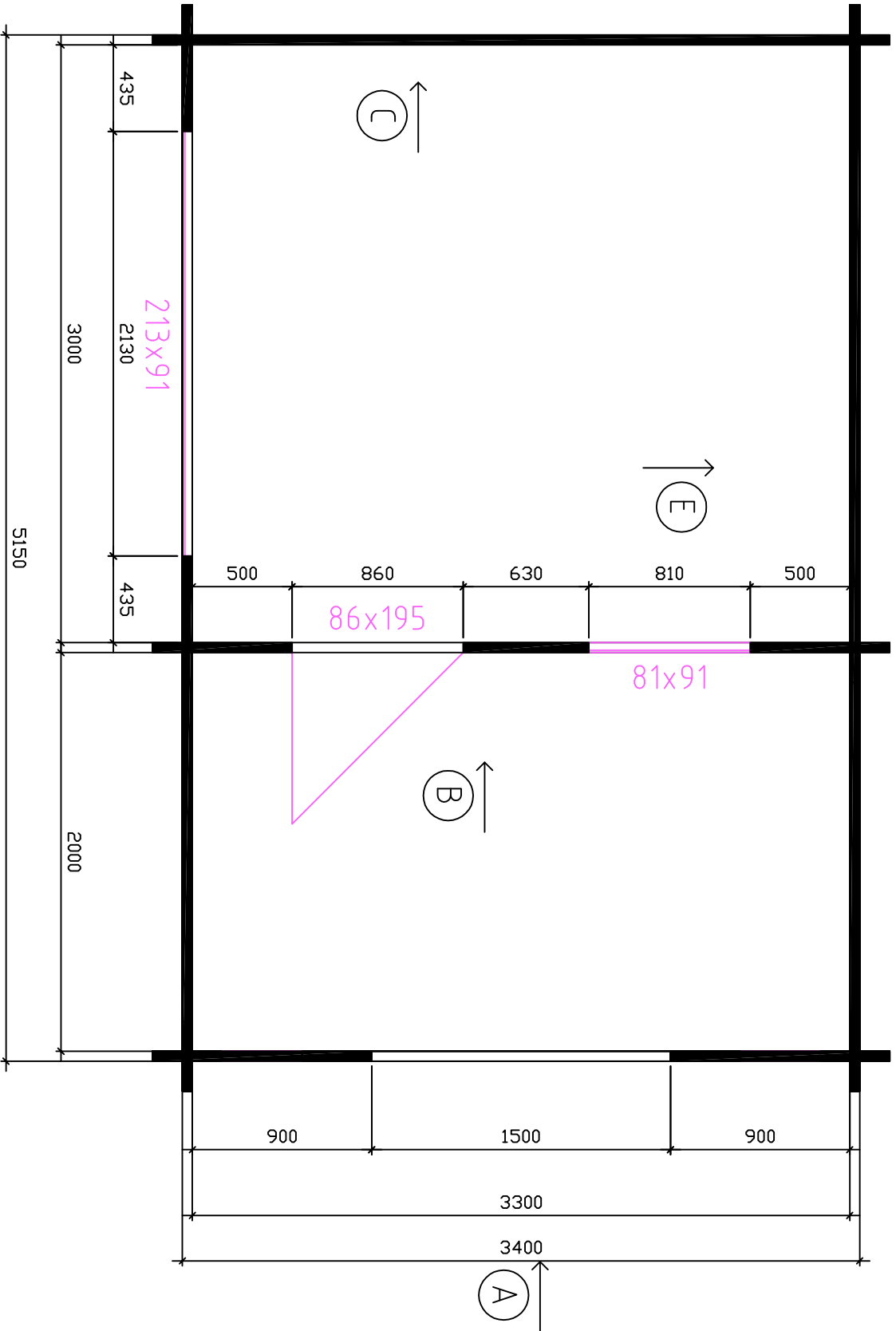
3,3x3+2,0T+KH / 50 / 08 /

3,3x3+2,0T+KH / 50 / 08 /



FUNDAMENT

3.3x3+2.0T / 50 / 10 /



GRUNDPLAN

↗ D

↖ C

↘ E

↖ B

↖ A

3.3X3+2.0T / 50 / 10 /

